



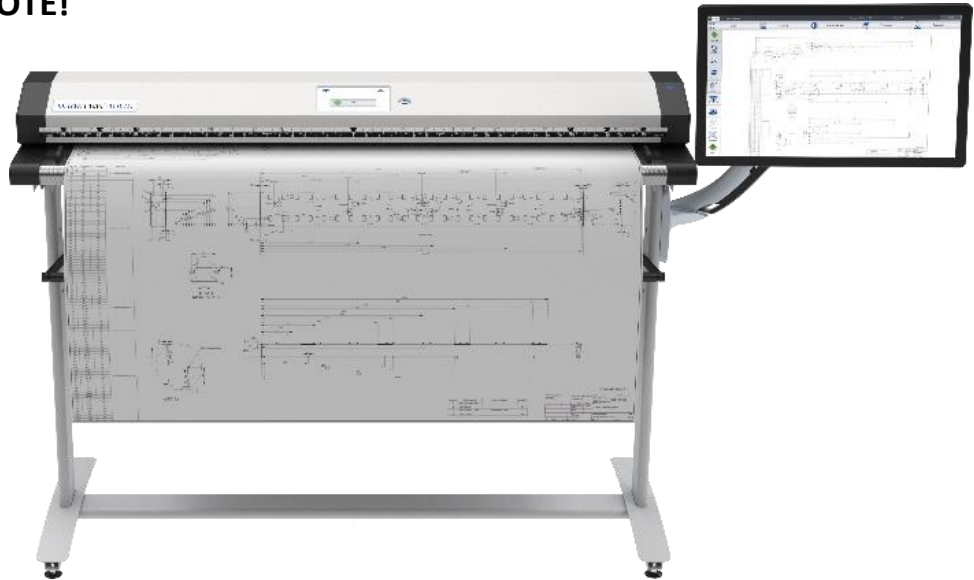
SCANWIDE.com
WideTEK® 48CL

WideTEK 48CL-600

*Ultra fast, attractively priced
scanner for technical documents,
with built in computer and software*

**Image
Access**

EMAIL info@ScanWide.com for QUOTE!



- SCANS UP TO 48 INCH
- FEEDS UP TO 50 INCH
- FADGI AND ISO 19264-1 COMPLIANT
- 1200 x 1200 DPI SCANNER RESOLUTION
- FAST SCANS: 10 INCHES PER SECOND AT 150 DPI IN FULL COLOR
- ENDLESS SCANNING - SCAN UNLIMITED LENGTHS TO MULTIPAGE PDF
- INTEGRATED 64BIT LINUX, INTEL QUAD CORE, 16 GB RAM, 128GB SSD
- GIGABIT TCP/IP NETWORK INTERFACE
- SUPPORTS SRGB, ADOBE RGB, NATIVE COLOR SPACES
- LARGE WVGA COLOR TOUCHSCREEN FOR SIMPLIFIED OPERATION
- INTEGRATED WALK UP SCANNING SOFTWARE
- FACE UP SCANNING
- CENTER FEED, LEFT OR RIGHT SIDE FEED
- AUTOMATIC SIZE AND POSITION DETECTION
- AUTOMATIC CROP AND DESKEW
- DURABLE, ANTISTATIC, ALL METAL PAPER PATH
- VIRTUAL RESCAN, MODIFY IMAGES WITHOUT RESCANNING
- OPTIONAL EXTERNAL FULL HD TOUCHSCREEN
- BUILT TO LAST

Fastest and highest quality color 48 inch CIS scanner on the market

The WideTEK® 48CL-600, a true standalone system with built in computer and software, raises the bar again.

This scanner for technical documents is the most complete solution on the market today, available at an extremely attractive price.

Using the latest camera technology this scanner exceeds all criteria set forth in the FADGI * guidelines and ISO 19264-1 level B.**

Professional quality. Made in Germany.

WideTEK® 48CL-600 Applications

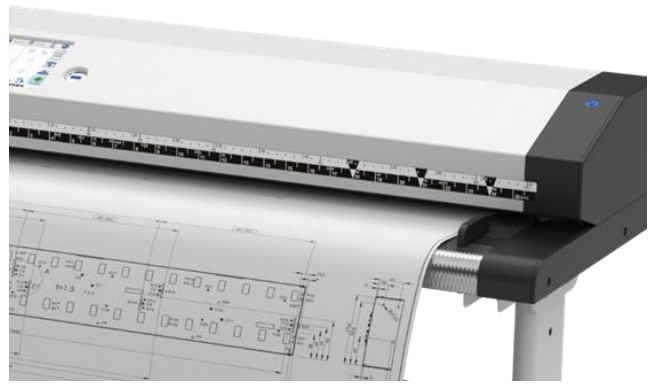
- Scanning of maps, color posters, display graphics
- Reproducing artwork, photographs
- Scanning of engineering and architectural CAD drawings
- Production scanning of newspapers, periodicals and magazines
- Digitizing documents from government offices and registries
- Archiving and copying blueprints and sepias

***NEW! Wide Format Color Scanner
Complete ScanStation Solution
Scan to Network, USB, Tablet, Phone or Device
No PC Required!*** (Apple iOS and Android Compatible)

Fastest 48 inch color CIS scanner at the lowest possible price.

Delivers images in brilliant quality with excellent color accuracy

The WideTEK® 48CL-600 is by far the fastest 48 inch color CIS scanner on the market, running at 10 inches per second at 150 dpi in full color. At the full width of 48" and 600dpi resolution, the scanner still runs at 1.3 inches per second. The scanning speeds are tripled in black and white and greyscale modes but can be individually configured if required for example, to scan fragile, valuable documents. It is a true standalone system, capable of scanning directly to network folders, USB drives, to cloud applications in the internet or copying to printers directly, without the need for an extra PC.



Sturdy and durable steel chassis, not plastic. WideTEK® 48CL is robust and scans fast for the most demanding applications, always delivering quality images

TECHNICAL DATA

EMAIL info@ScanWide.com for QUOTE!

| | |
|--|---|
| Maximum Document Size | 1270 mm (50 inch) |
| Maximum Scan Width | 1220 mm (48 inch) |
| Scanner Resolution | 1200 x 1200 dpi (optionally 9600 x 9600 dpi interpolated) |
| Speed in 24 bit Color, full 48" width | 200 dpi – 11.4 m/min (7.5 inch/s), 300 dpi – 7.6 m/min (5 inch/s) 600 dpi - 2 m/min (1.3 inch/s), 1200 dpi - 0.9 m/min (0.6 inch/s) |
| Speed in 8 bit Grayscale, full 48" width | 200 dpi – 22.9 m/min (15 inch/s), 300 dpi – 22.9 m/min (15 inch/s) 600 dpi – 5.8 m/min (3.8 inch/s), 1200 dpi - 2.9 m/min (1,9 inch/s) |
| Color Depth | 48 bit color, 16 bit grayscale |
| Scan Output | 24 bit color, 8 bit grayscale, bitonal, enhanced halftone |
| File Formats | Multipage PDF (PDF/A) and TIFF, JPEG, JPEG 2000, PNM, PNG, BMP, TIFF (Raw, G3, G4, LZW, JPEG) AutoCAD DWF, JBIG, DjVu, DICOM, PCX, Postscript, EPS, Raw data |
| ICC Profiles | Embedded for sRGB, Adobe RGB and native. Individual profiling via web based Scan2ICC subscription |
| Quality | Exceeds FADGI *** guidelines, ISO 19264-1 |
| Camera | 4x CIS modules, 29,852 pixels, encapsulated and dust-proof |
| Light source | RGB LED |
| Computer | 64 bit Linux, Intel quad core processor, 128GB SSD, 16 Gigabyte RAM, for very long scans |
| Touchscreen / Monitor | 7 inch color touchscreen / 22 inch touchscreen with arm (included in the bundle) |
| USB Port | 1 USB Port 3.0 |
| Interface | 1 GBit Fast Ethernet with TCP/IP based Scan2Net® Interface |
| Dimension | 170 x 1418 x 358 mm (6.7 x 55.8 x 14.1 inch) (H x W x D) |
| Weight | 28.5 kg / 63 lbs. |
| Electrical Connection | 100 – 240 V AC, 47 – 63 Hz (external power supply, complies with ECO standard CEC level VI) |
| Power Consumption | < 0.5 W (Sleep) / approx. 5 W (Standby) / < 25 W (Ready to scan) / < 45 W (Scanning) |
| Operating Temperature | 5 to 40 °C, 40 to 105 °F |
| Relative Humidity | 20 to 80 % (non-condensing) |
| Noise | < 35 dB(A) (Scanning) / < 25 dB(A) (Standby) |
| Approvals | ANSI/UL 60950-1, CAN/CSA C22.2 No. 60950-1; IEC 60950-1; FCC 47 Part 15, EN 55022, EN 55024 |



Visit our homepage!



SCANWIDE.com
673 Potomac Station Drive #103
Leesburg, VA 20176

(800) 681-8520

info@scanwide.com